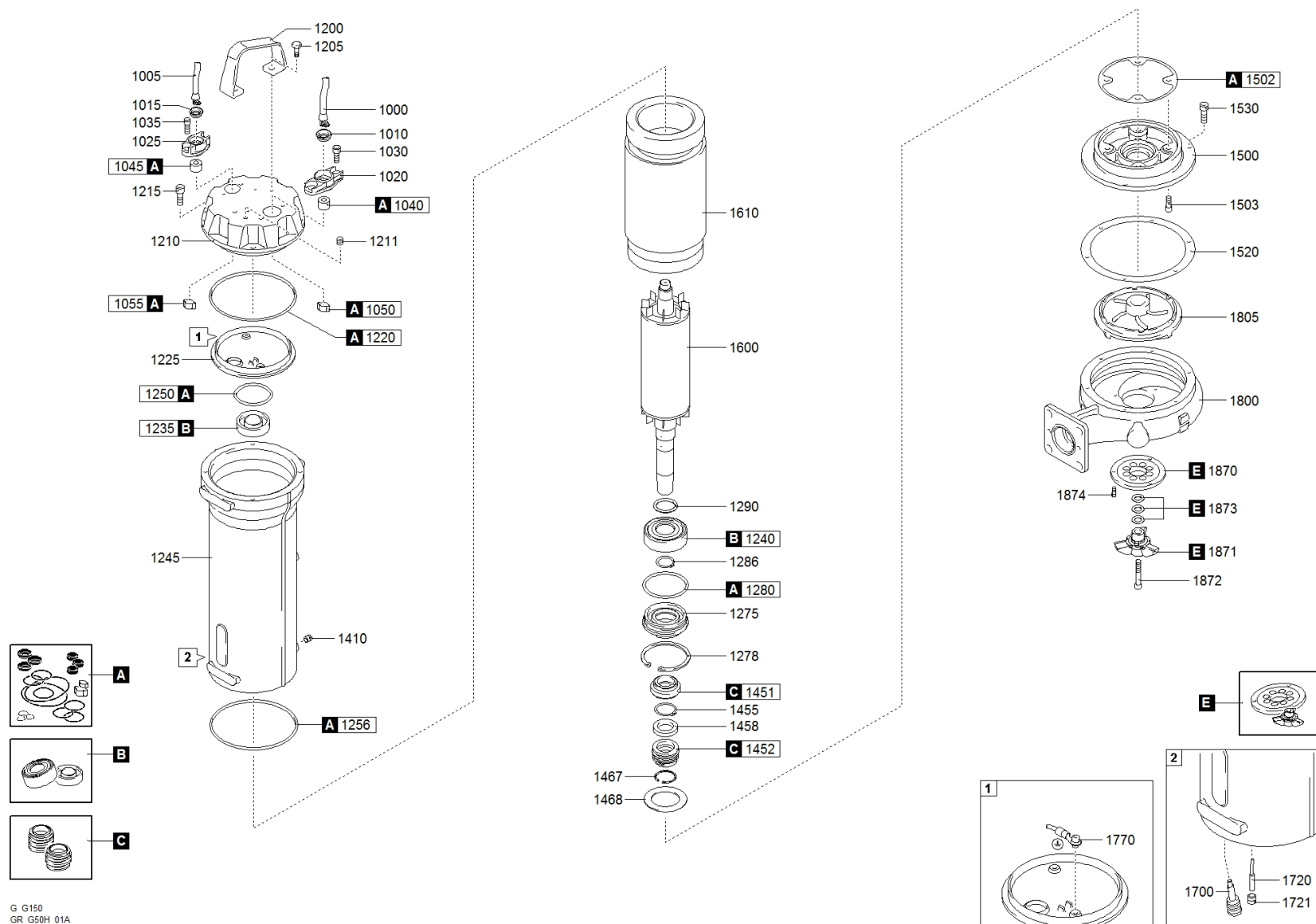




water solutions

ZENO  
SPARE PARTS

1522.001 - GRG 550/2/G50H D0FT5 NGTAB51040N00NN



G G150  
GR G50H 01A



water solutions



1522.001 - GRG 550/2/G50H DOFT5 NGTAB51040N00NN

	Code	Description		Q.ty
A	601053001	GASKETS KIT	806126	1
C	602053093	MECHANICAL SEALS KIT	806129	1
E	603053001	CUTTING SYSTEM KIT	806116	1
B	604053001	BEARINGS KIT	806132	1
1000	25020340151000001	POWER CABLE	802306	1
1010	235467216820	RING NUT [POWER CABLE]	711016 or 802074	1
1020	235424018990	CABLE GLAND [POWER CABLE]	711014	1
1030	270831010203200000	SCREW - CABLE GLAND [POWER CABLE]	711028	2
1040	235673222050	RUBBER GASKET [POWER CABLE]		1
1050	2732001400000	COLLAR CLAMP [POWER CABLE]	802081	1
1200	235232426544	HANDLE		1
1205	270830810201200000	SCREW [HANDLE >> COVER]	802319	2
1210	232117127210	COVER		1
1211	270139510104000000	CAP [TIGHTNESS TEST]	802099	1
1215	270830810203200000	SCREW [COVER >> MOTOR CASE]	802093 or 802095	4
1220	271770151035000000	GASKET [COVER >> UPPER BEARING HOLDER]		1
1225	230657125859	UPPER BEARING HOLDER		1
1235	2729063050400000	UPPER BEARING	710969	1
1240	2729063070200000	LOWER BEARING	802297	1
1245	231017127213	MOTOR CASE		1
1250	271770061026000000	GASKET [UPPER BEARING]		1
1256	271770145018000000			1
1275	23915087037027879	LOWER BEARING FLANGE		1
1278	270320880200000	SEEGER [LOWER BEARING FLANGE]	802289	1
1280	271770073035000000	GASKET [LOWER BEARING FLANGE]	711000	1
1286	270330350100000	SEEGER [LOWER BEARING >> LOWER BEARING FLANGE]	802290	1
1290	270220350452500000	DISTANCE RING [LOWER BEARING]	802312	1
1410	270139510104000000	CAP [OIL CHAMBER]	802099	1
1451	230000010300000000	1st MECHANICAL SEAL		1
1452	230002010300000000	2nd MECHANICAL SEAL		1
1455	270330300100000	SEEGER [1st MECHANICAL SEAL >> 2nd MECHANICAL SEAL]	802102	1
1467	270320620200000	SEEGER [2nd MECHANICAL SEAL]		1
1468	270534161109027893	DISTANCE RING [2nd MECHANICAL SEAL]		1
1500	236212003027854	PUMP PLATE		1
1502	2750913427043	GASKET [PUMP PLATE]		1
1503	270830810203200000	SCREW [PUMP PLATE >> MOTOR CASE]	802093 or 802095	4
1520	2750920022190	GASKET [PUMP PLATE >> PUMP BODY]	710949	2
1530	270830810203200000	SCREW [PUMP PLATE >> PUMP BODY]	802093 or 802095	4

1600	230235112827835	SHAFT WITH ROTOR		1
1610	231101283003000000	WOUND STATOR		1
1800	21251520020123437	PUMP BODY	710967	1
1805	21411GR183NN28012	IMPELLER	806117	1
1808	23913196060027230	DISTANCE RING [PUMP PLATE >> IMPELLER]		1
1809	270830810123200000	SCREW [DISTANCE RING >> PUMP PLATE]	802316	4
1870	211731027185	CUTTING DISK		1
1871	211630824029	CHOPPER KNIFE	710902	1
1872	270831010703200000	LOCKING CHOPPER KNIFE		1
1873	270620180250300000	WASHER [CHOPPER KNIFE ]	600678	3
1874	270830610143200000	SCREW [CUTTING DISK >> PUMP BODY]	806113	3